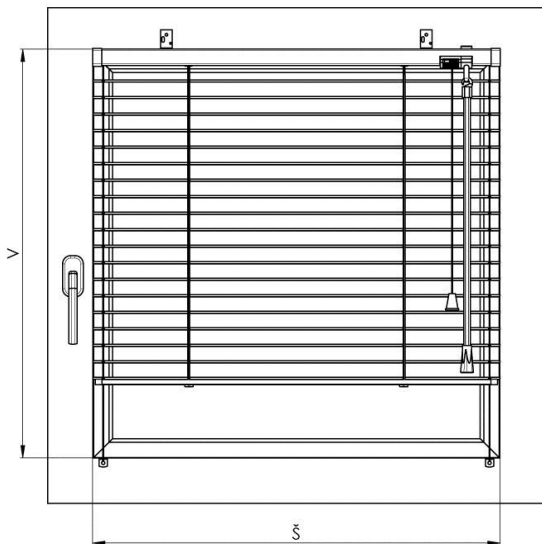
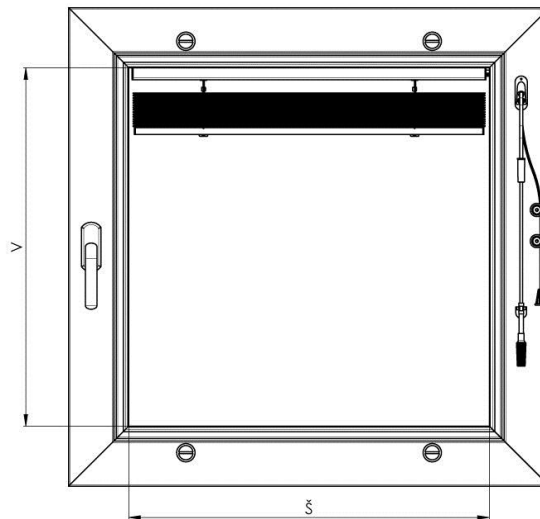


HORIZONTAL BLINDS – INTERIOR, SEMI-WINDOW

Interior blinds



Semi-window blinds



1. MEASUREMENTS

THE WIDTH AND HEIGHT ARE MEASURED IN THE FOLLOWING MANNER: INTERIOR BLINDS

- the width and height of the glass filling is measured or the width and height of the area for shading is measured

SEMI-WINDOW BLINDS IN HOLLOW WINDOWS

- the width and height of the glass filling is measured (for the width, 10 mm is added)

SEMI-WINDOW BLINDS INTO FRENCH (SCREWED) WINDOWS

- the width and height of the glass filling of the smaller frame are measured; Preferably the best is to measure from the inside after unscrewing
- the width is measured at the up, in the middle, and down and the minimum measured dimension is measured from which a maximum of 3 mm is deducted

SLOPED BLINDS

- the width, greater height and smaller height is measured

HORIZONTAL BLINDS ARE PRODUCED IN THE FOLLOWING DIMENSIONS:

Interior and semi-window blinds from the width of 300 mm up to 2000 mm with a tolerance of ± 1 mm. Interior blinds with front outlet from the width of 360 mm up to 2000 mm with a tolerance of ± 1 mm. The height is produced from 300 mm to 2200 mm with a tolerance of ± 20 mm.

If you have dimensions outside the stated limits, it is recommended to consult with the manufacturer.

Maximum guaranteed area: 2.5m²

N.B. WHEN MEASURING, CHECK THE FORM AND SIZE OF THE GLAZING BAR TO PREVENT ANY PROBLEMS DURING ASSEMBLY OF THE GUIDING (TIGHTENING PINS OR FIXED CONSOLE).

2. ASSEMBLY

Assemble exclusively according to this manual to prevent redundant assembly errors and other related problems.

AIDS FOR ASSEMBLY:

- electric drill, drills with 8mm, 2mm diameters
- screwdriver
- knife
- hammer
- metre rule

	for fixing blinds	for clamping the draw bar holder and the wheel	hole for tightening pin or the console
screw	3x12, 3x20	3x12, 3x20	3x12, 3x20
drill with diameter Ø	2 mm	2 mm	2 mm

INSPECTION:

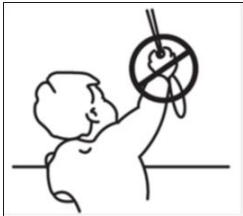
- Before assembly we recommend inspecting all parts after the delivery of the goods to prevent any problems. Any defects or comments concerning the assembly parts or blinds must be notified to the manufacturer.

ASSEMBLY (SEMI-WINDOW BLINDS):

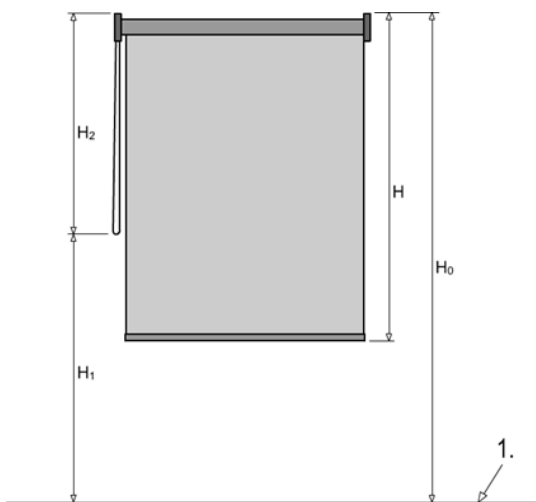
- check that the dimensions of the blinds correspond to the width of the window
- insert hinges into the blind bearings
- double windows are fitted on a smaller wing or according to the technical construction of the windows
- measure into the window wing and consequently drill two holes with an 8mm diameter for free passing of the cord and flexible shaft. The cord and the flexible shaft must not be in contact with the edges of the window frame
- screw or fix the blind using a nail into the window frame and, at the same time, run the beam with the spiral through the holes in the frame; the flexible shaft passes through the hole and the cord through the spiral.
- fix the beam to the window frame using a nail
- at the end of the cord, fix the cord pear which is fixed by knotting
- attach the control rod and using the draw bar connecting tube, join it to the flexible shaft
- fix the draw bar holder and the wheel to the cord of the blind
- check the functionality of the blind and the free passage of the cord
- for windows that are not double or hollow, use other types of fixing (hinges) to assemble for interior blinds

- blinds with guiding are assembled by using the fixation angular piece and fixation roll

ATTENTION!



Pursuant to the EN 13120:2014 standard, window blinds shall be installed in accordance with the following instructions:



Cord controls:

The blinds shall meet the following requirements:

If fully pulled up, the pull cord(s) length shall be limited (the reel shall be located as follows):

If installation height (H_0) is not specified, and

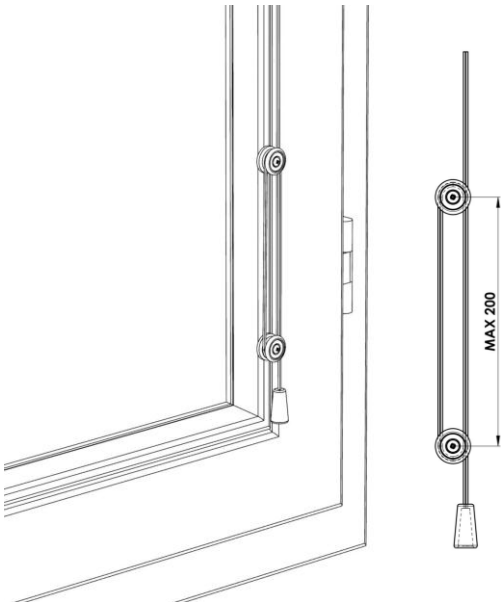
- i) if the blind height (H) is less than or equal to 2.5 m, the length of the pull cord(s) (H_2) shall be less than or equal to 1 m (see Fig.): $H_2 \leq 1$ m.
- ii) if the blind height (H) exceeds 2.5 m, the length of the pull cord(s) (H_2) shall be less than or equal to the height of the blind minus the value of 1.5 m (see Fig.): $H_2 \leq H - 1.5$ m.

If installation height (H_0) is specified, the distance from the floor to the bottom part of the pull cord(s) (H_1) shall be at least 1.5 m (see Fig.): $H_1 > 1.5$ m.

The pull cords shall meet the following requirements:

In case of two pull cords:

the pull cords must never entangle.



ILLUSTRATIVE ASSEMBLY:

